

PMC Carrier / Adapter

32-bit PMC-to-PCI Adapter for Delivery Systems

This PMC to PCI Adapter product from Technobox permits delivery of PMC-derived applications in a standard PCI environment.

Mechanically, a PMC card fits cleanly on a short-length PCI board, resulting in a highly acceptable delivery solution for desktop applications. Effectively, PMC suppliers can introduce products to desktop packaging without having to maintain two PCI-based designs — one for standard PCI and a second for PMC. Note that the inverse (i.e., standard PCI boards plugging into VMEbus boards) is mechanically awkward.

This product was designed to reduce cost. Since it does not have LEDs, clamping diodes, logic analyzer test headers and test features found on other more comprehensive Technobox PMC development tools thus providing cost savings. Also, PMC Side 1 is not accessible for probing.

The A and C rows of a 96-pin DIN connector, located toward the rear of the board, connect with the 64-pin user I/O connector (J4/P4) on the mezzanine card. This connection is specified by IEEE 1386 for the P2 connector on VMEbus boards and permits internal connection of rear I/O, should the PMC board support rear I/O connectivity.

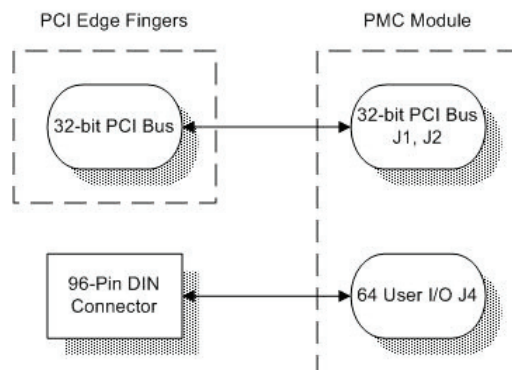
A 2.5 mm thick aluminum panel, with a 0.5 mm chamfered edge, is provided on the PCI board bracket. This mimics the mechanics of a PMC installed on a VMEbus board or other host environment.

To minimize the overall net size of PCI signals, it is recommended that only one of these adapters be installed in a standard PCI-based system. Preferably, the adapter should be located at the endmost PCI slot to minimize stubbing of the PCI bus.



4933
.....

- Adapts 32-bit PMC (33 MHz) for use in PCI slot
- Designed for optimal signal quality
- Passive adapter
- DIN connector provides access to rear I/O
- RoHS-compliant, Lead-free



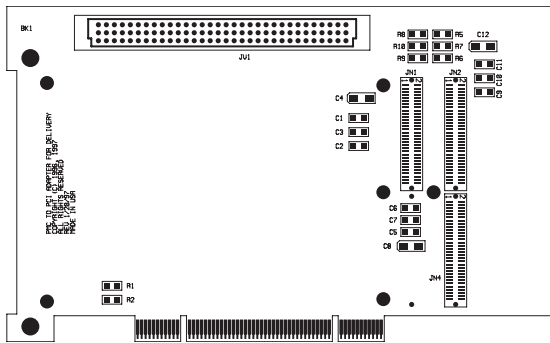
お問い合わせは

立野電腦 EXT営業部
E-mail : sales@dsp-tdi.com

〒198-0063 東京都青梅市梅郷5-955 TEL.0428-77-7000 FAX.0428-77-7010

URL <http://www.dsp-tdi.com/>

Technobox



Specifications

Temperature (Operating): 0° to 55° C
 Temperature (Storage): -40° to +85° C
 Altitude: Not specified or characterized (Typical similar equipment is at 15,000 ft.)
 Humidity (Operating/Storage): 5% to 90% non-condensing
 Vibration: Not specified or Characterized
 MTBF: Can be provided upon request
 Typical Power Dissipation: TBD
 Power Supplies Required: Per PMC under test
 PCI Environment: 3.3V, 5V; 33 MHz, 32Bit PCI bus

Ordering Information

4933: PMC to PCI adapter

お問い合わせは

 **立野電腦** EXT営業部
 E-mail : sales@dsp-tdi.com

〒198-0063 東京都青梅市梅郷5-955 TEL.0428-77-7000 FAX.0428-77-7010

URL [http : //www.dsp-tdi.com/](http://www.dsp-tdi.com/)

Technobox, inc.®

Copyright © Technobox 2006

DS4933-A60824

Technobox, Inc.
 140 Mount Holly Bypass
 Unit 1
 Lumberton, NJ 08048
 Tel: 609-267-8988 • Fax: 609-261-1011
www.technobox.com