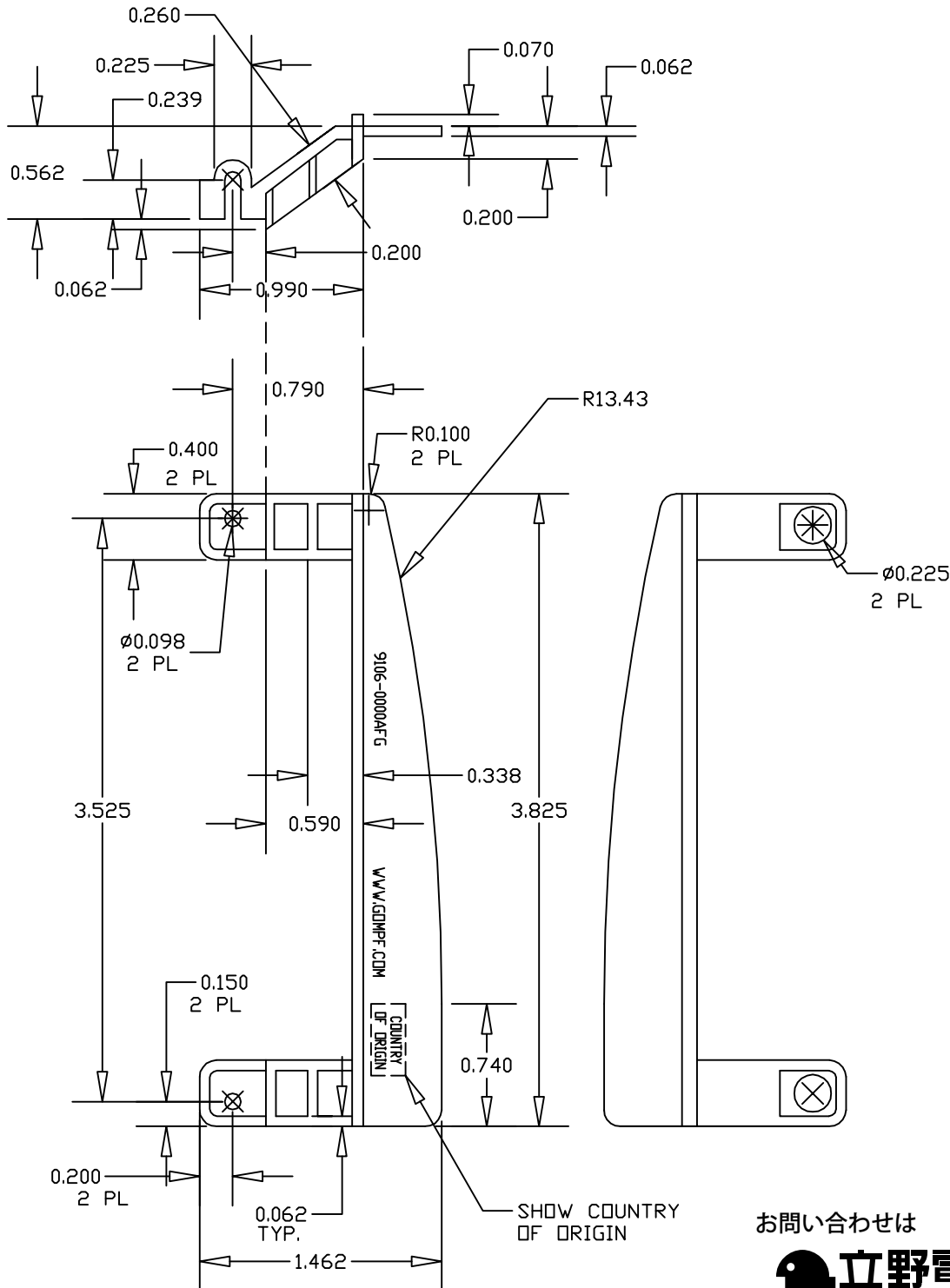


REVISIONS		
Rev#	DESCRIPTION	DATE
00	ORIGINAL	6/28/00
A	CHANGED REV LEVEL TO A	8/1/00

ENGINEERING CHANGE ORDER		
Item#	DESCRIPTION	DATE
00	ORIGINAL	6/26/97
01	REMOVED "WA" FROM P/N JULY 97 PER U.S. CUSTOMS	5/20/98
02	CHANGE SPEC $\phi 0.098$ TO $\phi 0.093$	10/7/98
03	CHANGED TEXT "GOMPf 98027" TO "WWW.GOMPf.COM", UPDATED CUSTOMER PART NUMBER	10/13/99
04	CHANGE SPEC $\phi 0.093$ TO $\phi 0.098$	11/17/99
05	ADDED COUNTRY OF ORIGIN	6/28/00

Gompf

GOMPf BRACKETS, INC.
 1410 19th AVE. S.E.
 Issaquah, WA.
 98027-8923
 Phone: (425)391-0495
 Fax: (425)391-0496



COPYRIGHT PROTECTED

DWG. NO. 9106-0000AFG

MATERIAL: BLACK UL94V-0 WITH 10% FIBERGLASS

FINISH: BLACK

TOLERANCES:
 STD.TOLS. ± 0.010
 RAD.TOLS. ± 0.010
 HOLE TOLS. ± 0.005
 MAT.TOLS. ± 0.002

SCALE: 1:1

DATE: 8/1/00

REV. A

CHECKED:

APPROVALS:

DRAWN BY: BF/VW

お問い合わせは

立野電脳 EXT営業部
 E-mail: sales@dsp-tdi.com
 〒198-0063 東京都青梅市梅郷5-955 TEL.0428-77-7000

URL <https://www.dsp-tdi.com/>

Gompf

GOMPf BRACKETS, INC.
WWW.BRACKET.COM
sales@bracket.com
Phone: (425) 391-0495
Fax: (425) 391-0496

COPYRIGHT PROTECTED

DWG. NO. 6089-3512

MATERIAL:
ZINC

FINISH:
BRIGHT NICKLE

TOLERANCES:
STD. TOLS. +0.010
RAD. TOLS. +0.010
HOLE TOLS. +0.005
MAT. TOLS. +0.002

SCALE: NOT TO SCALE

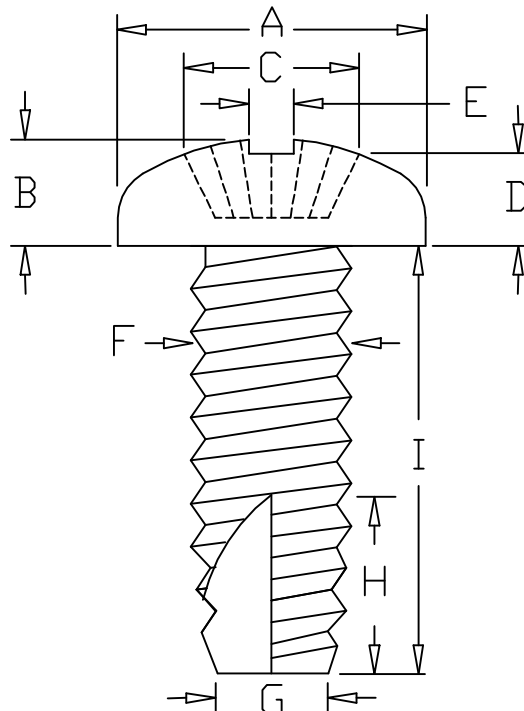
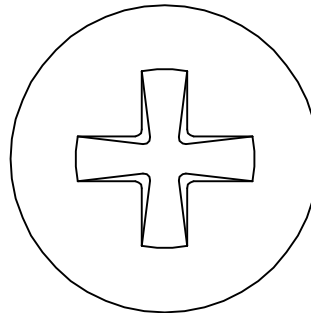
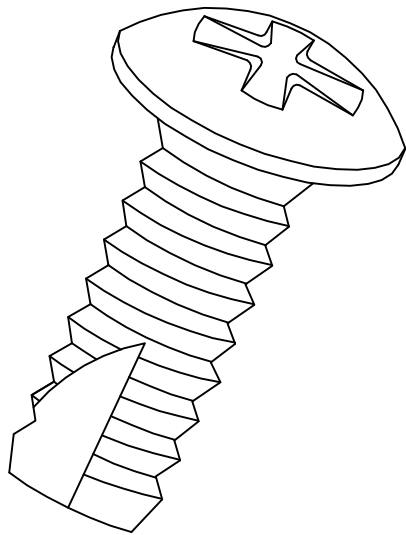
DATE: 7-16-96

REV. 0

ISSUED:

APPROVALS:

DRAWN BY: DJB



A: 0.212"
B: 0.060"
C: 0.116"
D: 0.078"
E: 0.019"
F: 0.109"
G: 0.083"
H: 0.100"
I: 0.300"

お問い合わせは

 EXT 営業部
E-mail: sales@dsp-tdi.com
〒198-0063 東京都青梅市梅郷5-955 TEL.0428-77-7000

URL <https://www.dsp-tdi.com/>