



Camera Link to Camera Link High Speed compatible Signal Converter

Camera LinkのカメラをFiber延長してCLHS (X) のフレームグラバに接続できるようにする変換器です。

Innovative Approach

KAYA Instruments' **CL to CLHS compatible Signal Converter** allows convert Camera Link interface by connecting camera to frame grabber over single fiber cable. This solution provides a high resolution stream interface for distances up to 80 km. The Signal Converter is capable of supplying power (PoCL) to camera over data cable.

Intelligent Design

The system uses flexible SFP+ modules for optical connection that can be easily changed. The Signal converter is able to provide a bidirectional communication at up to 10.3125 Gbps equal to Camera Link Full/80 bit (Deca) over single fiber cable with standard fiber frame grabbers.

Key Features

- Camera Link Base, Medium, Full or 80-bit (Deca) support
- Bidirectional communication over single fiber cable
- Flexible machine I/O:
 - RS232
 - RS422
 - Opto-isolated
 - TTL GPIOs
- Standard MDR26 connectors
- Single Fiber optic cable
- Extension using Multi-Mode fiber up to 300 m
- Extension using Single-Mode fiber up to 80 km
- Power over Data support
- Flexible SFP+ module for optic fiber connection
- Easy configuration
- External power supply (optional)
- -40 °C to +70 °C operation environment temperature

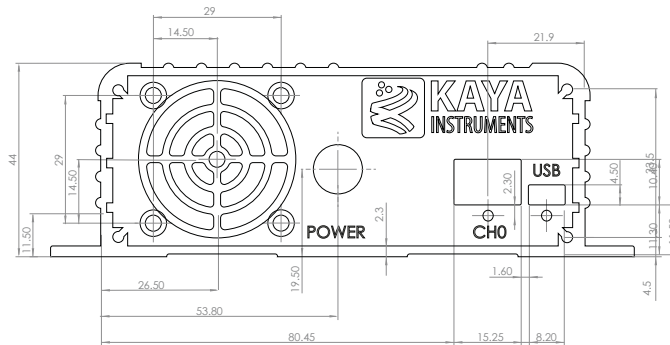
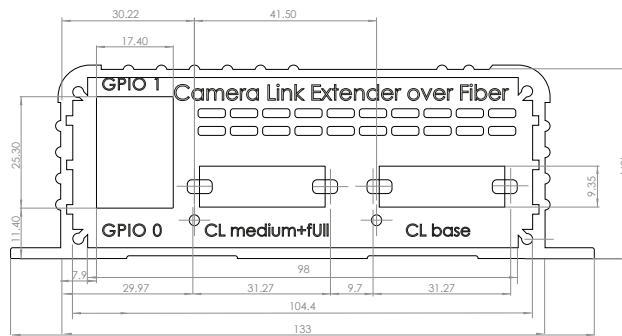
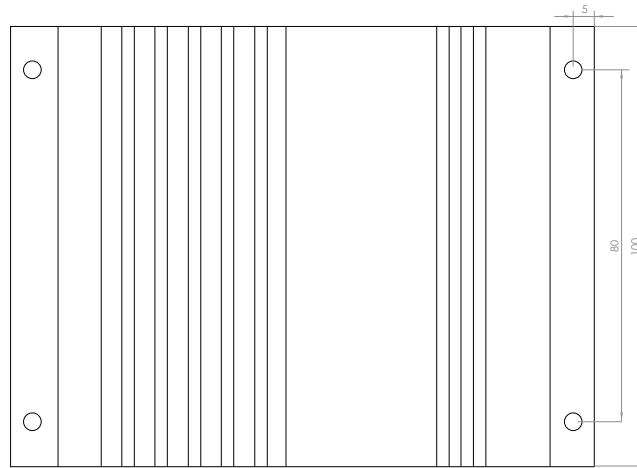
Applications

- High speed cameras
- High definition cameras
- Panoramic cameras
- Defense remote systems
- Surveillance
- Robotic Vision

TECHNICAL DATA

| General | |
|--|---|
| Interface standard(s) | Camera Link compatible v2.0 |
| Connectors | 2x Camera Link v2.0 connectors 1x SFP+ connector for Camera Link over Fiber 2x RJ45 GPIO connectors 1x mini-USB system status port 1x Power 12 V DC input connector |
| Status LEDs | 2x Camera Link connection status per connector 1x Fiber connection status per connector 1 System status LED |
| Number of links | 1 |
| Line-scan cameras supported | Yes |
| Supported connection speeds | 10.3125 Gbit/s |
| Cooling method | Air cooling, passive heatsink |
| Dimensions | 133 mm x 100 mm x 44 mm (5.2" x 3.9" x 1.7") |
| Weight | 346 g (12 oz) |
| Power Input | 12 V DC |
| Power Consumption | 10.8 W (Self consumption not including cameras) |
| Environmental conditions | |
| Operating ambient air temperature | -40 °C to +70 °C (-40 °F to +158 °F) |
| Operating ambient air humidity | 10% to 90% RH non-condensing |
| Storage ambient air temperature | -40 °C to +70 °C (-40 °F to +158 °F) |
| Storage ambient air humidity | 10% to 90% RH non-condensing |
| Certifications | |
| Electromagnetic - EMC standards | <ul style="list-style-type: none"> The European Council EMC Directive 2004/108/EC The United States FCC rule 47 CFR 15 |
| EMC - emission | <ul style="list-style-type: none"> EN 55022:2010 Class B FCC 47 Part 15 Class B |
| EMC - immunity | <ul style="list-style-type: none"> EN 55024:2010 Class B EN 61000-4-3 EN 61000-4-4 EN 61000-4-6 |
| Flammability | PCB compliant with UL 94 V-0 |
| RoHS | Compliant with the European Union Directive 2011/65/EU (ROHS2) |
| REACH | Compliant with the European Union Regulation No 1907/2006 |
| WEEE | Must be disposed of separately from normal household waste and must be recycled according to local regulations |
| Ordering Information | |
| Camera Link to CLHS compatible Signal Converter | KY-CL2F-D |
| SFP+ single-mode module, 10 km | KY-SFP-10GLR-31 |
| SFP+ multi-mode module, 300 m | KY-SFP-10GSR-85 |
| SFP+ bidirectional module | KY-SFP-BD-10G-10 |
| Single Mode Patch cable Duplex with LC termination | KY-FCA-D-SM-LC-200.0 |
| Multi Mode Patch cable Duplex with LC termination | KY-FCA-D-MM-LC-35.0 |
| Power supply 12V, 60W | KY_PWR12_PSE(only for Japan) |

MECHANICAL DRAWINGS



Dimensions are in millimeters.

 **立野電腦** EXT營業部
E-mail : sales@dsp-tdi.com
〒198-0063 東京都青梅市梅郷5-955 TEL.0428-77-7000

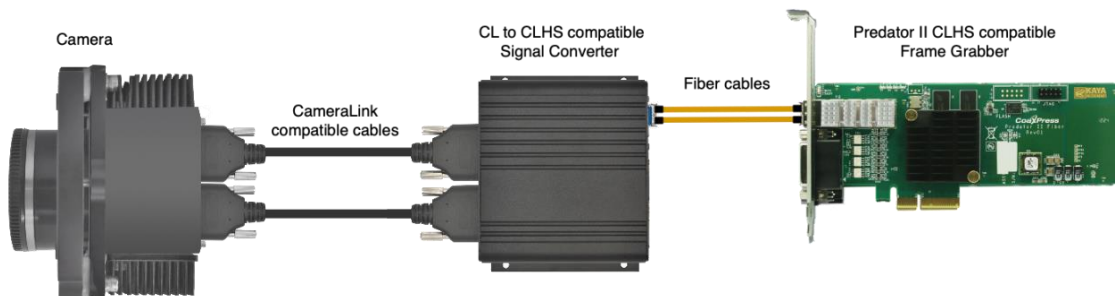
URL <https://www.dsp-tdi.com/>

October, 2024

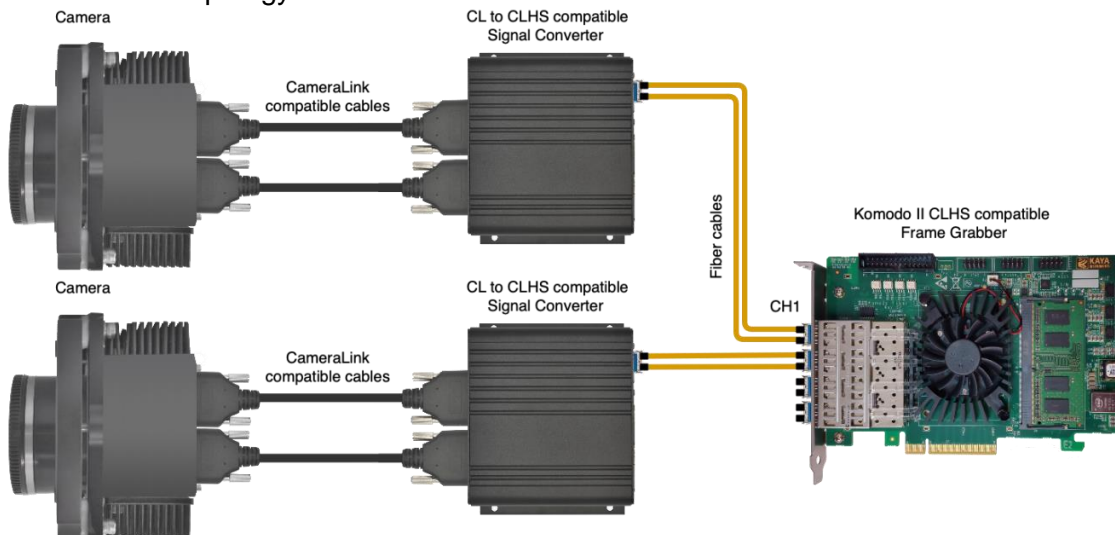
www.kayainstruments.com

SYSTEM STRUCTURE

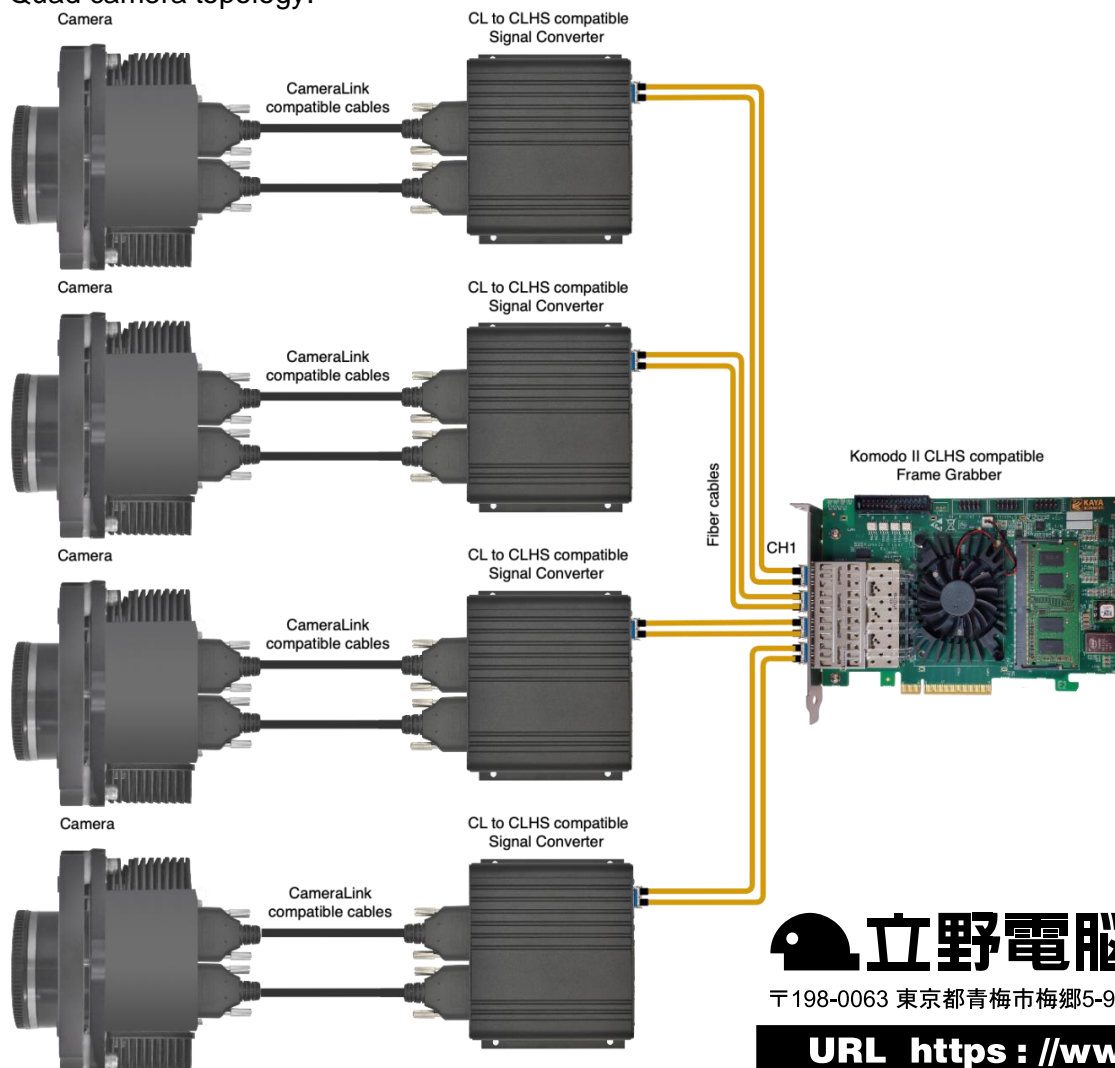
Single camera topology:



Dual camera topology:



Quad camera topology:



立野電脳 EXT営業部
E-mail : sales@dsp-tdi.com
〒198-0063 東京都青梅市梅郷5-955 TEL.0428-77-7000

URL <https://www.dsp-tdi.com/>

COMPATIBILITY

KAYA Instruments creates and maintains compatibility and interfaces for the most common and advanced vision image processing libraries and applications. Major support is available for **MVtec Halcon**, **National Instruments' LabVIEW** and **MathWorks' MATLAB**.

Supported vision standards:



Supported vision libraries:



Supported operating systems:



Please check our website for an up-to-date list of other supported libraries and software package

 **立野電腦** EXT営業部
E-mail : sales@dsp-tdi.com
〒198-0063 東京都青梅市梅郷5-955 TEL.0428-77-7000

URL <https://www.dsp-tdi.com/>

KAYA Instruments

Please feel free to contact our sales team for pricing, availability, documentation or customization at our e-mails – we will be happy to provide assistance and consultation.

Sales Inquiries: info@kayainstruments.com
Technical Support: support@kayainstruments.com

www.KAYAIstruments.com

KAYA Instruments, Inc.
2255 Glades Rd. Suite 324A
Boca Raton, FL 33431
USA

+1 561 698-2899



© 2017 KAYA Instruments, Inc. All rights reserved. KAYA Instruments, the KAYA Instruments Komodo logo, JetCam logo, Predator, Iron and combinations thereof are trademarks of KAYA Instruments, Inc. in the United States and/or other jurisdictions. Microsoft Windows is a registered trademark of Microsoft Corporation. Other names are for informational purposes only and may be trademarks of their respective owners. KAYA Instruments is not liable for harm or damage incurred by information contained in this document.