



FMC II CoaXPress 2.0

FMC II CoaXPress Mezzanine Card

Innovative Approach

The **FMC II CoaXPress 2.0** is the industry's first FPGA Mezzanine Card (VITA 57.1) providing a high performance CoaXPress 2.0 compliant connection. It is capable of capturing video from up to 4 CoaXPress channels (in 4R configuration) or generating up to 4 CoaXPress links (in 4T configuration) and is ideally suited to industrial, defense and aerospace applications.

Intelligent Design

This mezzanine card may be also used as a camera simulator, emulating up to 4 transmitting channels or as host unit by receiving up to 4 channels. Customer specific data pre-processing or custom protocols are easily accommodated via FPGA carrier card. The **FMC II CoaXPress** uses a high-pin count connector (HPC) as an interface to the host board, general purpose I/O and can be used in a ruggedized conduction cooled factor for harsher environments.

Up to 4 host/device links can be provided using front panel Micro BNC connectors. Each link supports standard CoaXPress bitrates up to 12.5Gbps. Each host link is capable of providing up to 13W of power to compatible devices via Power over CoaXPress (PoCXP).

カメラ側(Tx)とHost側(Rx)の2種類のFMCカード。KayaのIPを使ったカメラやフレームグラバの開発用、または特機装置への組み込みにどうぞ。ボードと共に供給されるリファレンス回路を市販のFPGAボードで動作させて開発を始めることができます。

Key Features:

- Interfaces
 - Up to 4 CoaXPress links
 - Each link can be host or device (configuration specific)
 - External power supply for extended use of Power over CXP, a.k.a. PoCXP (optional)
- VITA 57.1 compliant
- Conduction or air cooled
- 4 x Micro BNC connectors available from the front panel
- MIL-I-46058c conformal coating (optional)
- Micro-BNC connectors for CoaXPress links
- HPC – High Pin count connector
- 63mm x 84mm, single slot FMC
- Power over CoaXPress support
- Support standard CoaXPress data rates up to 12.5Gpbs
- - 40°C to 85°C operating environment temperature (industrial grade)

Applications

- High speed cameras
- High definition cameras
- Panoramic cameras
- Existing coax systems upgrade
- Defense remote systems
- Slip Ring systems
- Automotive surround view system
- Surveillance
- Robotic Vision

Deliverables

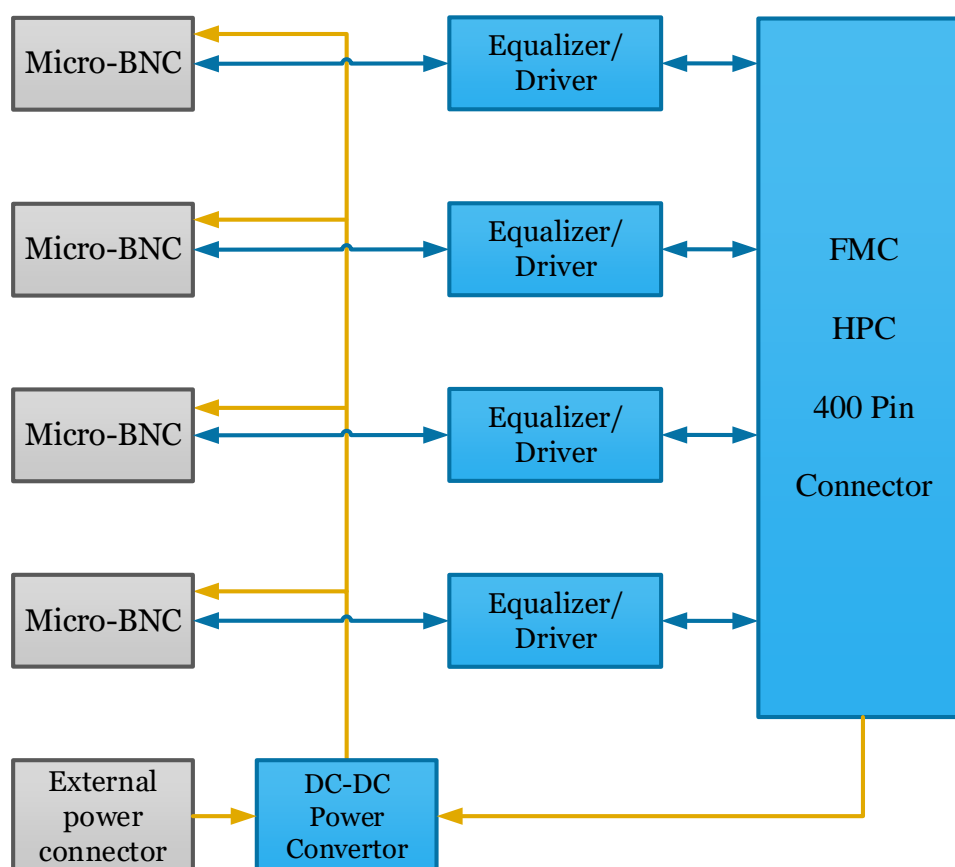
- FMC-II-CXP card
- Hardware user manual
- Coax cables (optional)
- CoaXPress IP for FPGA
- Supports host and device interfaces
- Intel (Altera), and Xilinx and Microsemi



Available Configurations

Model	Host Links	Device Links
KY-FMC-II-CXP-4R	4	0
KY-FMC-II-CXP-4T	0	4

FMC II CoaXPress Mezzanine Card HW Block Diagram



立野電脳 EXT営業部
 E-mail : sales@dsp-tdi.com
 〒198-0063 東京都青梅市梅郷5-955 TEL.0428-77-7000

URL <https://www.dsp-tdi.com/>

Compatibility

KAYA Instruments creates and maintains compatibility and interfaces for the most common and advanced vision image processing libraries and applications. Major support is available for **MVTec Halcon**, **National Instruments' LabVIEW** and **MathWorks' MATLAB**.

❖ Supported vision standards:



❖ Supported vision libraries:



❖ Supported operating systems:



Please check our website for an up-to-date list of other supported libraries and software package

Contact Us

Please feel free to contact our team with any question or further inquiry at info@kayainstruments.com – we will be happy to provide assistance and consultation.

KAYA Instruments

2255 Glades Rd Suite 324-A, Boca Raton, FL
33431, United States +1 (561)698-2899
www.kayainstruments.com



© 2017 KAYA Instruments, Inc. All rights reserved. KAYA Instruments, the KAYA Instruments Komodo logo, JetCam logo, Predator, Iron and combinations thereof are trademarks of KAYA Instruments, Inc. in the United States and/or other jurisdictions. Microsoft Windows is a registered trademark of Microsoft Corporation. Other names are for informational purposes only and may be trademarks of their respective owners. KAYA Instruments is not liable for harm or damage incurred by information contained in this document



 EXT營業部
E-mail : sales@dsp-tdi.com

〒198-0063 東京都青梅市梅郷5-955 TEL.0428-77-7000

URL <https://www.dsp-tdi.com/>