



## Datasheet CoaXPress Range Extender II

### CoaXPress over Coax Range Extender

#### Innovative Approach

KAYA Instruments' **CoaXPress over Coax Range Extender** is the industry's first CoaXPress range extender. The extender increases standard CoaXPress v2.1 transmission distance while maintaining a low jitter, high resolution, and quality stream. The extender enables video, control signals, and power over CoaXPress (PoCXP) transmission for full control of the data stream and camera handle. The Range Extender is able to provide a downlink of up to 12.5 Gbps and uplink at 40.8 Mbps.

#### Applications:

- Sports
- Traffic
- Surveillance
- Robotics
- Machine Vision
- High-Speed Inspection
- Factory Automation
- Defence

挿入するだけで通信改善。  
簡単で便利な KT-EXT-II  
お問い合わせは立野電脳（株）

#### Key Features:

- CoaXPress v2.1 compatible
- Increase transmission distance of CoaXPress
- Downlink/Uplink of 12.5 Gbps and 40.83 Mbps respectively
- Bidirectional CoaXPress communication
- Micro-BNC connector for CoaXPress link
- Plug and Play, no need to configure
- Power over CoaXPress (PoCXP) support
- 0°C to 50°C operating environment temperature
- -40°C to 70°C operating environment temperature (industrial grade, optional)
- IP66 rated enclosure (optional)

お問い合わせは立野電脳（株） [sales@dsp-tdi.com](mailto:sales@dsp-tdi.com)

 **立野電脳** EXT営業部  
E-mail : [sales@dsp-tdi.com](mailto:sales@dsp-tdi.com)  
〒198-0063 東京都青梅市梅郷5-955 TEL.0428-77-7000

**URL <https://www.dsp-tdi.com/>**

内容は予告なく変更される場合があります。

# TECHNICAL DATA

General	
Interface standard(s)	CoaXPress v2.1 (CoaXPress 1.1 backward compatible)
Connectors	1x Micro-BNC CoaXPress v2.1 connector
Status LEDs	1 System status LED
Number of links	1
Supported CXP down-connection speeds	<ul style="list-style-type: none"><li>• 1.25 Gbit/s (CXP-1)</li><li>• 2.5 Gbit/s (CXP-2)</li><li>• 3.125 Gbit/s (CXP-3)</li><li>• 5 Gbit/s (CXP-5)</li><li>• 6.25 Gbit/s (CXP-6)</li><li>• 10 Gbit/s (CXP-10)</li><li>• 12.5 Gbit/s (CXP-12)</li></ul>
Cooling method	Air cooling, passive heatsink
Dimensions	50.5 mm x 29.4 mm x 17.4 mm (1.99" x 1.15" x 0.68")
Weight	24 g (0.84 oz)
PoCXP (Power over CoaXPress)	Yes

Environmental conditions	
Operating case temperature	-40 °C to +70 °C (+-40 °F to +158 °F)
Operating ambient air humidity	10% to 90% RH non-condensing
Storage ambient air temperature	-40 °C to +80 °C (-40 °F to +176 °F)
Storage ambient air humidity	10% to 90% RH non-condensing
Shock/Vibration	-

Certifications	
Electromagnetic - EMC standards	<ul style="list-style-type: none"><li>• The European Council EMC Directive 2004/108/EC</li><li>• The United States FCC rule 47 CFR 15</li></ul>
EMC - emission	<ul style="list-style-type: none"><li>• EN 55022:2010 Class B</li><li>• FCC 47 Part 15 Class B</li></ul>
EMC - immunity	<ul style="list-style-type: none"><li>• EN 55024:2010 Class B</li><li>• EN 61000-4-3</li><li>• EN 61000-4-4</li><li>• EN 61000-4-6</li></ul>
Flammability	PCB compliant with UL 94 V-0
RoHS	Compliant with the European Union Directive 2011/65/EU (ROHS2)
REACH	Compliant with the European Union Regulation No 1907/2006
WEEE	Must be disposed of separately from normal household waste and must be recycled according to local regulations

Ordering information	
Part Number	KY-EXT-II
Optional accessories	CoaXPress cables

お問い合わせは立野電脳（株） [sales@dsp-tdi.com](mailto:sales@dsp-tdi.com)

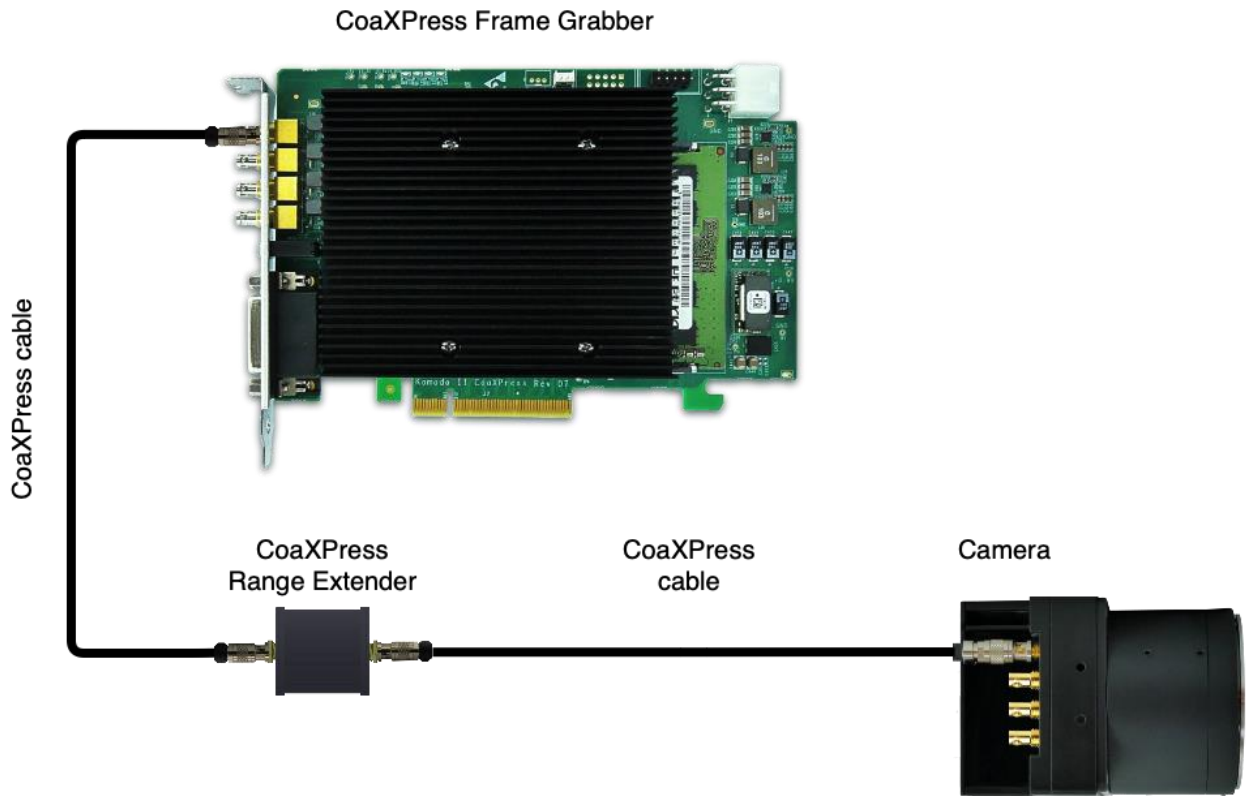
 **立野電脳** EXT営業部  
E-mail : [sales@dsp-tdi.com](mailto:sales@dsp-tdi.com)

〒198-0063 東京都青梅市梅郷5-955 TEL.0428-77-7000

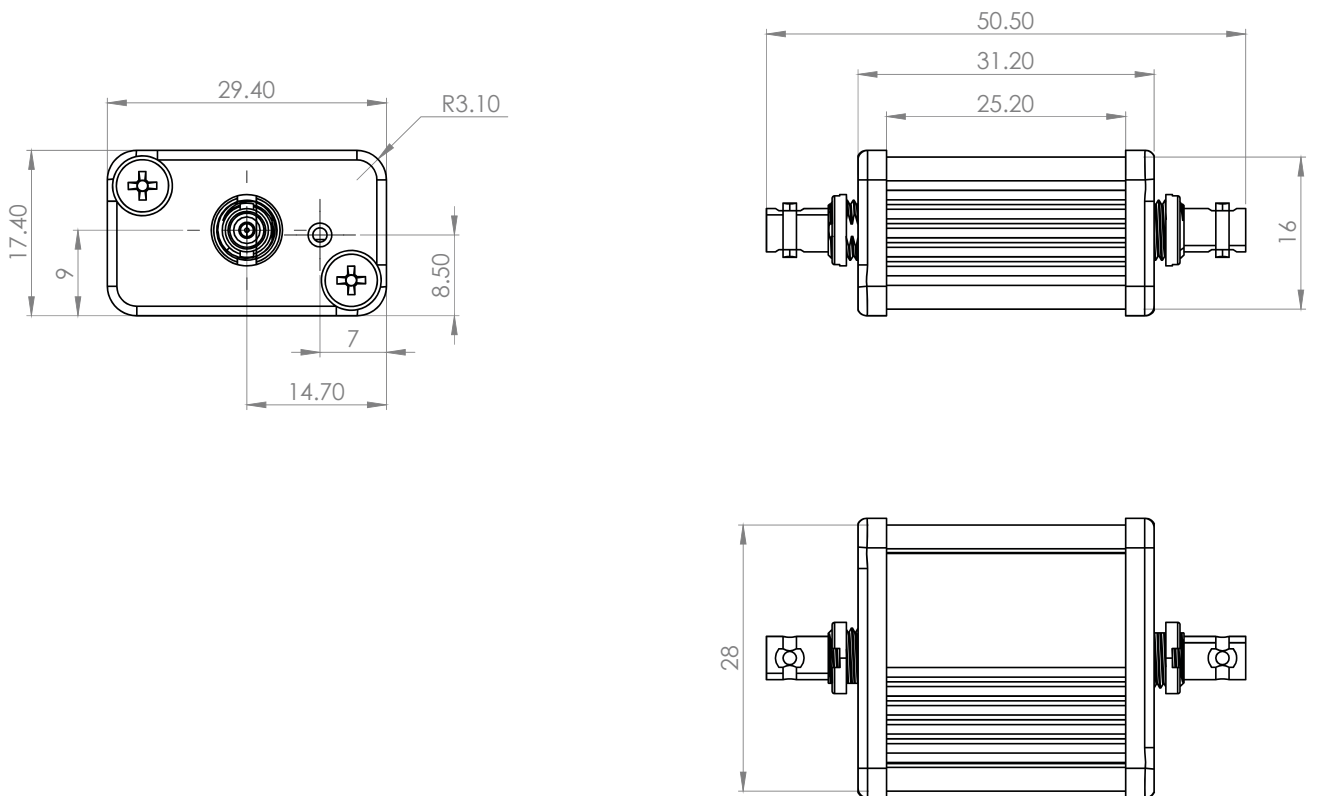
**URL <https://www.dsp-tdi.com/>**

内容は予告なく変更される場合があります。

# SYSTEM DIAGRAM



# MECHANICAL DRAWINGS



# COMPATIBILITY

**KAYA Instruments** creates and maintains compatibility and interfaces for the most common and advanced vision image processing libraries and applications. Major support is available for **MVtec Halcon**, **National Instruments' LabVIEW** and **MathWorks' MATLAB**.

Supported vision standards:



Supported vision libraries:



Supported operating systems:



*Please check our website for an up-to-date list of other supported libraries and software package*

お問い合わせは立野電脳（株） sales@dsp-tdi.com

 **立野電脳** EXT営業部  
E-mail : sales@dsp-tdi.com  
〒198-0063 東京都青梅市梅郷5-955 TEL.0428-77-7000

**URL <https://www.dsp-tdi.com/>**

内容は予告なく変更される場合があります。

## KAYA Instruments

Please feel free to contact our sales team for pricing, availability, documentation or customization at our e-mails – we will be happy to provide assistance and consultation.

Sales Inquiries: [info@kayainstruments.com](mailto:info@kayainstruments.com)  
Technical Support: [support@kayainstruments.com](mailto:support@kayainstruments.com)

## [www.KAYAIstruments.com](http://www.KAYAIstruments.com)

KAYA Instruments, Inc.  
2255 Glades Rd. Suite 324A  
Boca Raton, FL 33431  
USA

+1 561 698-2899

KAYA Instruments, Ltd.  
20 HaMesila St.  
Nesher 3688520  
Israel

+972 72 272-3500



© 2024 KAYA Instruments, Inc. All rights reserved. KAYA Instruments, the KAYA Instruments Komodo logo, JetCam logo, Predator, Iron and combinations thereof are trademarks of KAYA Instruments, Inc. in the United States and/or other jurisdictions. Microsoft Windows is a registered trademark of Microsoft Corporation. Other names are for informational purposes only and may be trademarks of their respective owners. KAYA Instruments is not liable for harm or damage incurred by information contained in this document.